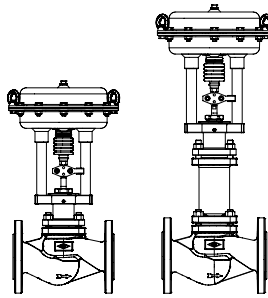


With pneumatic and electric actuators

ARI-STEVI® 448 / 449

**Pneumatic actuator
ARI-DP 30-34**

- Reversible pneumatic actuator
- Actuator with rolling diaphragm
- Air supply pressure min. 4 bar
- Air supply pressure max. 6 bar
- Stem protection by bellow
- Maintenance-free O-ring sealing
- Assembly of additional devices acc. to DIN IEC 60534-6



Page 4

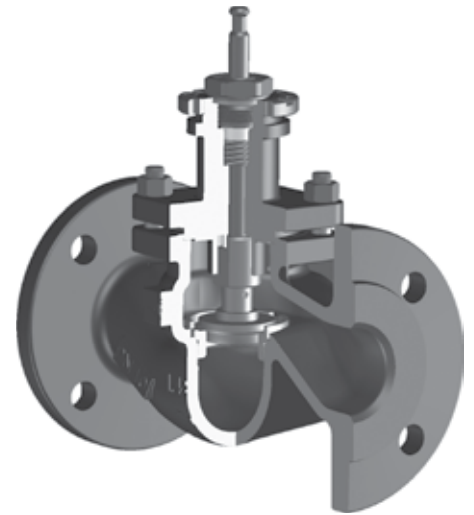
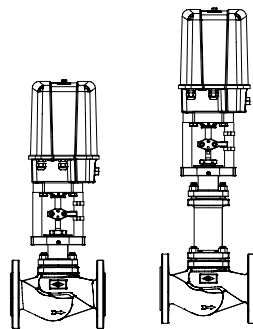


Fig. 448

ARI-STEVI® 448 / 449

**Electric actuator
ARI-PREMIO-Plus 2G 2,2-15kN**

- Digital actuator control
- BLDC-Engine technology
- Energy-efficient
- Enclosure IP 65
- 2 torque switches
- Handwheel
- Additional devices available, e.g. potentiometer



Page 7

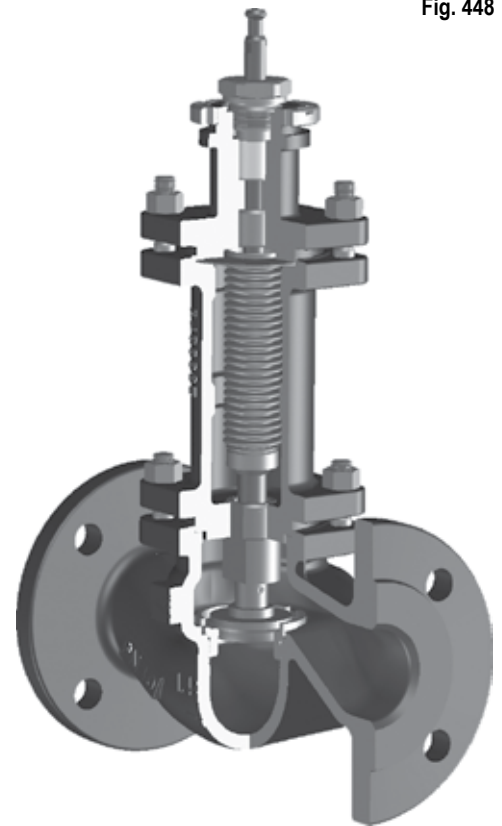


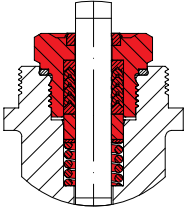
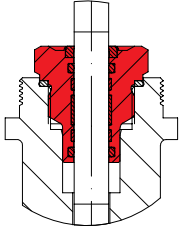
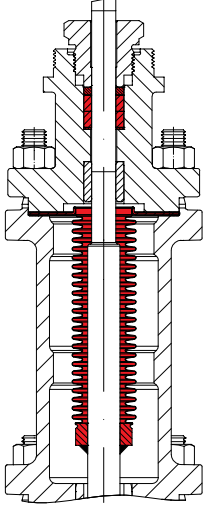
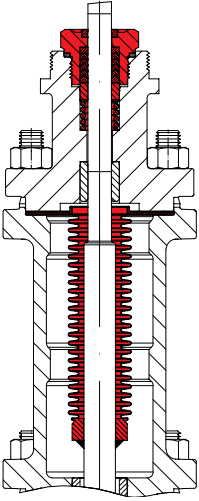
Fig. 449

Features:

- Compact design
- Bonnet with rotatable traverse
- Optional: Perforated plug for noise reduction
- Replaceable seat
- Reduceable Kvs-values
- Shaft plug guide

Figure	Nominal pressure	Material	Nominal diameter	
12.448	PN16	EN-JL1040	DN15-100	Information / restriction of technical rules need to be observed! A production permission acc. to TRB 801 No. 45 is available. (acc. to TRB 801 No. 45 EN-JL1040 is not allowed.) The engineer, designing a system or a plant, is responsible for the selection of the correct valve. Resistance and fitness must be verified, contact manufacturer for information (refer to Product overview and Resistance list).
22.448 / 22.449	PN16	EN-JS1049	DN15-100	
23.448 / 23.449	PN25	EN-JS1049	DN15-100	
25.448	PN40	EN-JS1049	DN15-50	
32.448 / 32.449	PN16	1.0619+N	DN15-100	
34.448 / 34.449	PN25	1.0619+N	DN15-100	
35.448 / 35.449	PN40	1.0619+N	DN15-100	
52.448 / 52.449	PN16	1.4408	DN15-100	
54.448 / 54.449	PN25	1.4408	DN15-100	
55.448 / 55.449	PN40	1.4408	DN15-100	

Other materials and versions on request.

Stem sealing		
Fig. 448	standard	optional
	 <p>I. PTFE-V-ring unit -10°C to 220°C</p>	 <p>I. EPDM-sealing -10°C to 150°C (allowed for water and steam up to 180°C)</p>
Fig. 449	standard	optional
	 <p>III. Stainless steel-bellow with pure graphite-packing -60°C to 400°C</p>	 <p>III. Stainless steel-bellow with V-ring unit -60°C to 220°C</p>

Pressure-temperature-ratings			Intermediate values for max. permissible operational pressures can be determined by linear interpolation of the given temperature / pressure chart.							
acc. to DIN EN 1092-2			-60°C to <-10°C ¹⁾	-10°C to 120°C	150°C	200°C	250°C	300°C	350°C	400°C
EN-JL1040	PN16	(bar)	--	16	14,4	12,8	11,2	9,6	--	--
EN-JS1049	PN16	(bar)	--	16	15,5	14,7	13,9	12,8	11,2	--
EN-JS1049	PN25	(bar)	--	25	24,3	23	21,8	20	17,5	--
EN-JS1049	PN40	(bar)	--	40	38,5	36,8	34,8	32	28	--
acc. to manufacturers standard			-60°C to <-10°C ¹⁾	-10°C to 120°C	150°C	200°C	250°C	300°C	350°C	400°C
1.0619+N	PN25	(bar)	18,7	25	23,9	22	20	17,2	16	14,8
1.0619+N	PN40	(bar)	30	40	38,1	35	32	28	25,7	23,8
acc. to DIN EN 1092-1			-60°C to <-10°C ¹⁾	-10°C to 100°C	150°C	200°C	250°C	300°C	350°C	400°C
1.4408	PN40	(bar)	40	40	36,3	33,7	31,8	29,7	28,5	27,4

¹⁾ Valve with extended bonnet, screws and nuts made of A4-70 (at temperatures below -10°C)

Plug design standard			Guiding	Rangeability
Parabolic plug, metal seat	<ul style="list-style-type: none"> - Leakage class IV acc. to DIN EN 60534-4 - from Kvs 0,1 - Flow characteristic: <ul style="list-style-type: none"> - modified equal percentage (glp) - linear (lin) 		Shaft	50 : 1
Plug design optional			Guiding	Rangeability
Parabolic plug, increased sealing tightness in the seat	<ul style="list-style-type: none"> - Leakage class IV-S1 acc. to DIN EN 60534-4 - metallic polished - from Kvs 0,1 - Flow characteristic: <ul style="list-style-type: none"> - modified equal percentage (glp) - linear (lin) (special actuator forces necessary, closing pressures on request) 		Shaft	50 : 1
Parabolic plug with PTFE-soft seal (max. 200°C)	<ul style="list-style-type: none"> - Leakage class VI acc. to DIN EN 60534-4 - Flow characteristic: <ul style="list-style-type: none"> - modified equal percentage (glp) - linear (lin) 		Shaft	50 : 1
Parabolic plug with armoured sealing edge	<ul style="list-style-type: none"> - Leakage class IV acc. to DIN EN 60534-4 - from Kvs 1 - Flow characteristic: <ul style="list-style-type: none"> - modified equal percentage (glp) - linear (lin) 		Shaft	50 : 1
Perforated plug metal-seated	<ul style="list-style-type: none"> - Leakage class IV aac. to DIN EN 60534-4 - from Kvs 1 - Flow characteristic: <ul style="list-style-type: none"> - modified equal percentage (glp) - linear (lin) ➡ Flow direction for gases and steam for reduction of the acoustic level 		Shaft / Seat ring	30 : 1

Control valve in straightway form with pneumatic actuator ARI-DP

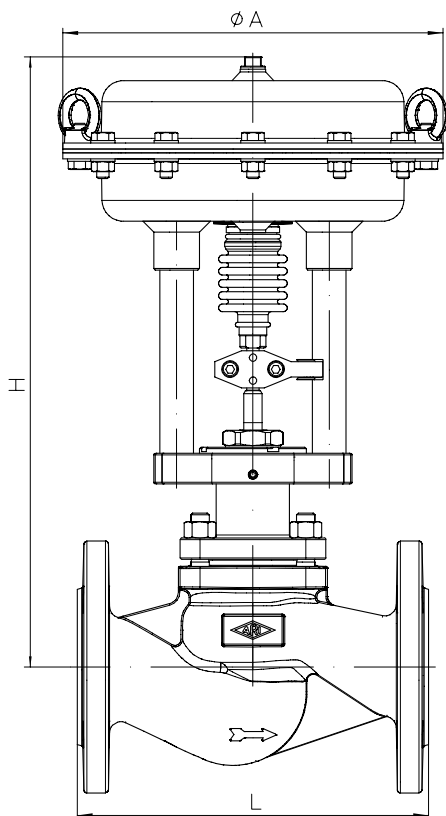


Fig. 448

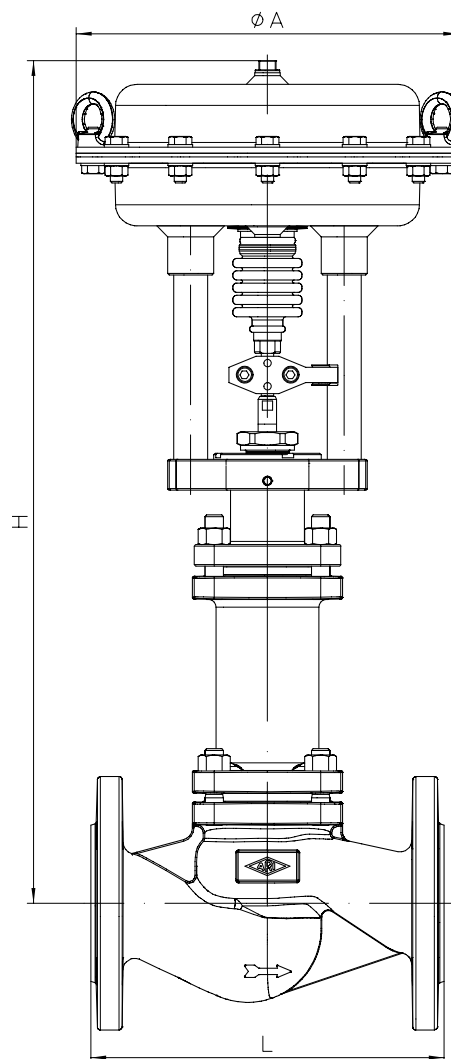


Fig. 449

Actuator data		DP30	DP32	DP33	DP34
Ø A	(mm)	168	250	300	405
Effective diaphragm area	(cm ²)	80	250	400	800

Technical data for actuator refer to data sheet ARI-DP.

Dimensions and weights

DN	15	20	25	32	40	50	65	80	100
----	----	----	----	----	----	----	----	----	-----

L	(mm)	130	150	160	180	200	230	290	310	350
---	------	-----	-----	-----	-----	-----	-----	-----	-----	-----

Fig. 448	DP30	H	(mm)	354	354	369	369	384	391			
		PN16-40	(kg)	8	9	10	12	14	17			
DP32	H	(mm)				378	393	400	407	429	445	
	PN16-40	(kg)				17	19	22	28	35	47	
DP33	H	(mm)							458	480	496	
	PN16-40	(kg)							34	41	53	
DP34	H	(mm)							527	549	565	
	PN16-40	(kg)							64	71	83	

Fig. 449	DP30	H	(mm)	539	539	547	547	538	540			
		PN16-40	(kg)	14	15	18	20	27	30			
DP32	H	(mm)				556	547	549	633	646	662	
	PN16-40	(kg)				25	32	35	41	52	68	
DP33	H	(mm)							684	697	713	
	PN16-40	(kg)							47	58	74	
DP34	H	(mm)							753	766	782	
	PN16-40	(kg)							77	88	104	

Other dimensions refer to pages 9.

Technical data for actuator refer to data sheet ARI-DP.



Spring closes on air failure
(stem extended by spring)

max. permissible closing pressures on flow-to-open P2 = 0.
Observe pressure-temperature-limits, refer to page 2.

DN				15				20				25			
Parabolic plug	Kvs-value	(m ³ /h)	0,25 / 0,16 / 0,1	0,63 / 0,4	4 / 2,5 / 1,6 / 1	0,25 / 0,16 / 0,1	0,63 / 0,4	4 / 2,5 / 1,6 / 1	6,3	0,25 / 0,16 / 0,1	0,63 / 0,4	4 / 2,5 / 1,6 / 1	6,3	10	
	max. diff. pressure ¹⁾	(bar)	40				40				40				
Perforated plug	Kvs-value	(m ³ /h)	--	--	2,5 / 1,6 / 1	--	--	2,5 / 1,6 / 1	4	--	--	2,5 / 1,6 / 1	4	6,3	
	max. diff. pressure ¹⁾	(bar)	--	--	40	--	--	40	--	--	40	--	--	40	
Seat-Ø			(mm)	3	5	12	3	5	12	16	3	5	12	16	22
Travel			(mm)	10				10				10			
DP30 80 cm ² (Air supply pressure max.: 6 bar)	Air supply pressure min. (bar)	4	I.	(bar)	40	40	40	40	40	40	40	40	40	40	40
			III.	(bar)	32	32	31	32	32	31	30	32	32	31	30

DN				32				40				50			
Parabolic plug	Kvs-value	(m ³ /h)	4 / 2,5 / 1,6 / 1	6,3	10	16	6,3	10	16	25	10	16	25	40	
	max. diff. pressure ¹⁾	(bar)	40				40				30	40		30	
Perforated plug	Kvs-Wert	(m ³ /h)	2,5 / 1,6 / 1	4	6,3	10	4	6,3	10	16	6,3	10	16	25	
	max. diff. pressure ¹⁾	(bar)	40				40				40				
Seat-Ø			(mm)	12	16	22	28	16	22	28	35	22	28	35	43
Travel			(mm)	10				15	10		15		10	15	
DP30 80 cm ² (Air supply pressure max.: 6 bar)	Air supply pressure min. (bar)	4	I.	(bar)	40	40	40	40	40			40			
			III.	(bar)	31	30	30	30	30			30			
DP32 250 cm ² (Air supply pressure max.: 6 bar)	Air supply pressure min. (bar)	4	I.	(bar)				40		40	40	40	40	28	
			III.	(bar)				40		40	39		40	39	26

DN				65				80				100				
Parabolic plug	Kvs-value	(m ³ /h)	16	25	40	63	25	40	63	100	40	63	100	160		
	max. diff. pressure ¹⁾	(bar)	40	30	30	10	30	30	10	8	30	10	8	3		
Perforated plug	Kvs-value	(m ³ /h)	10	16	25	40	16	25	40	63	25	40	63	100		
	max. diff. pressure ¹⁾	(bar)	40				40				40					
Seat-Ø			(mm)	28	35	43	56	35	43	56	70	43	56	70	95	
Travel			(mm)	15				20	15		20	25	15	20	25	30
DP32 250 cm ² (Air supply pressure max.: 6 bar)	Air supply pressure min. (bar)	4	I.	(bar)	40	40	28	40	28			28				
			III.	(bar)	40	39	26	39	26			26				
DP33 400 cm ² (Air supply pressure max.: 6 bar)	Air supply pressure min. (bar)	4	I.	(bar)			40	25		40	25	16	40	25	16	8
			III.	(bar)			40	24		40	24	15	40	24	15	8
DP34 800 cm ² (Air supply pressure max.: 4 bar)	Air supply pressure min. (bar)	4	I.	(bar)			40			40	32		40	32	17	
			III.	(bar)			40			40	31		40	31	16	

I. Fig. 448: PTFE-V-ring unit / EPDM-sealing

III. Fig. 449: Bellows seal

¹⁾ max. differential pressure drop



Spring opens on air failure
(stem retracting by spring)

max. permissible closing pressures on flow-to-open P2 = 0.
Observe pressure-temperature-limits, refer to page 2.

DN			15					20				25				
Parabolic plug	Kvs-value	(m³/h)	0,25 / 0,16 / 0,1	0,63 / 0,4	4 / 2,5 / 1,6 / 1	0,25 / 0,16 / 0,1	0,63 / 0,4	4 / 2,5 / 1,6 / 1	6,3	0,25 / 0,16 / 0,1	0,63 / 0,4	4 / 2,5 / 1,6 / 1	6,3	10		
	max. diff. pressure ¹⁾	(bar)	40					40				40				
Perforated plug	Kvs-value	(m³/h)	--	--	2,5 / 1,6 / 1	--	--	2,5 / 1,6 / 1	4	--	--	2,5 / 1,6 / 1	4	6,3		
	max. diff. pressure ¹⁾	(bar)	--	--	40	--	--	40	--	--	40	--	--	40		
Seat-Ø			(mm)		3	5	12	3	5	12	16	3	5	12	16	22
Travel			(mm)		10					10						
DP30 80 cm² (Air supply pressure max.: 6 bar)	Air supply pressure min. (bar)	2	I.	(bar)	40	40	33	40	40	33	18	40	40	33	18	8
			III.	(bar)	5	4	3	5	4	3	3	5	4	3	3	2
		3	I.	(bar)			40			40	40			40	40	28
			III.	(bar)	19	19	18	19	19	18	17	19	19	18	17	16
		4	I.	(bar)												40
			III.	(bar)	33	33	32	33	33	32	31	33	33	32	31	31

DN			32					40				50				
Parabolic plug	Kvs-value	(m³/h)	4 / 2,5 / 1,6 / 1	6,3	10	16	6,3	10	16	25	10	16	25	40		
	max. diff. pressure ¹⁾	(bar)	40					40				30	40		30	
Perforated plug	Kvs-value	(m³/h)	2,5 / 1,6 / 1	4	6,3	10	4	6,3	10	16	6,3	10	16	25		
	max. diff. pressure ¹⁾	(bar)	40					40				40				
Seat-Ø			(mm)		12	16	22	28	16	22	28	35	22	28	35	43
Travel			(mm)		10			15	10		15		10	15		
DP30 80 cm² (Air supply pressure max.: 6 bar)	Air supply pressure min. (bar)	2	I.	(bar)	33	18	8		18	8			8			
			III.	(bar)	3	3	2		3	2			2			
		3	I.	(bar)	40	40	28		40	28			28			
			III.	(bar)	18	17	16		17	16			16			
		4	I.	(bar)			40			40			40			
			III.	(bar)	32	31	31		31	31			31			
DP32 250 cm² (Air supply pressure max.: 4 bar)	Air supply pressure min. (bar)	2	I.	(bar)	40	40	38	23	40	38	23	14	38	23	14	9
			III.	(bar)	25	25	24	19	25	24	19	11	24	19	11	7
		3	I.	(bar)			40	40		40	40	36	40	40	36	23
			III.	(bar)			40	40		40	40	33	40	40	33	21
		4	I.	(bar)								40			40	38
			III.	(bar)								40			40	36

DN			65					80				100				
Parabolic plug	Kvs-value	(m³/h)	16	25	40	63	25	40	63	100	40	63	100	160		
	max. diff. pressure ¹⁾	(bar)	40	30	30	10	30	30	10	8	30	10	8	3		
Perforated plug	Kvs-value	(m³/h)	10	16	25	40	16	25	40	63	25	40	63	100		
	max. diff. pressure ¹⁾	(bar)	40					40				40				
Seat-Ø			(mm)		28	35	43	56	35	43	56	70	43	56	70	95
Travel			(mm)		15			20	15		20	25	15	20	25	30
DP32 250 cm² (Air supply pressure max.: 6 bar)	Air supply pressure min. (bar)	2	I.	(bar)	22	14	8		14	8			8			
			III.	(bar)	18	11	7		11	7			7			
		3	I.	(bar)	40	36	23		36	23			23			
			III.	(bar)	40	33	21		33	21			21			
		4	I.	(bar)		40	38		40	38			38			
			III.	(bar)		40	36		40	36			36			
5	I.	(bar)			40			40			40					
	III.	(bar)			40			40			40					
DP33 400 cm² (Air supply pressure max.: 5 bar)	Air supply pressure min. (bar)	2	I.	(bar)	40	30	20	11	30	20	11	7	20	11	7	3
			III.	(bar)	40	28	18	10	28	18	10	6	18	10	6	3
		3	I.	(bar)		40	40	26	40	40	26	17	40	26	17	9
			III.	(bar)		40	40	25	40	40	25	16	40	25	16	8
		4	I.	(bar)				40			40	26		40	26	14
			III.	(bar)				40			40	26		40	26	14
5	I.	(bar)							36			36		19		
	III.	(bar)							36			36		19		

I. Fig. 448: PTFE-V-ring unit / EPDM-sealing

III. Fig. 449: Bellows seal

¹⁾ max. differential pressure drop

Control valve in straightway form with electric actuator PREMIO-Plus 2G

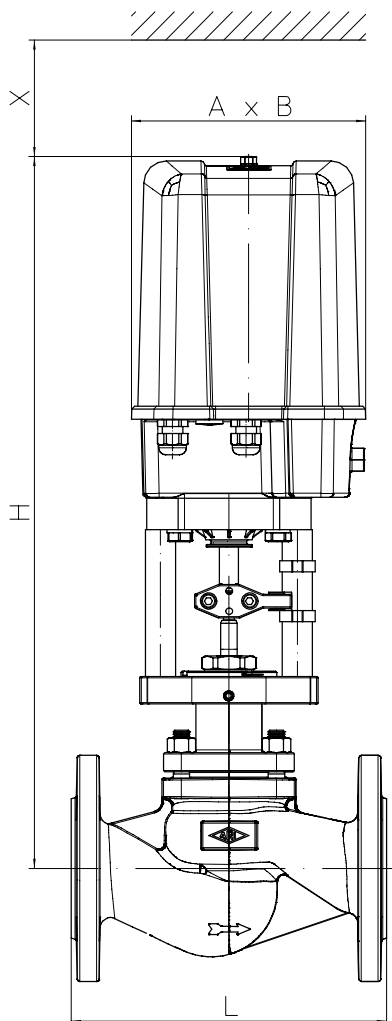


Fig. 448

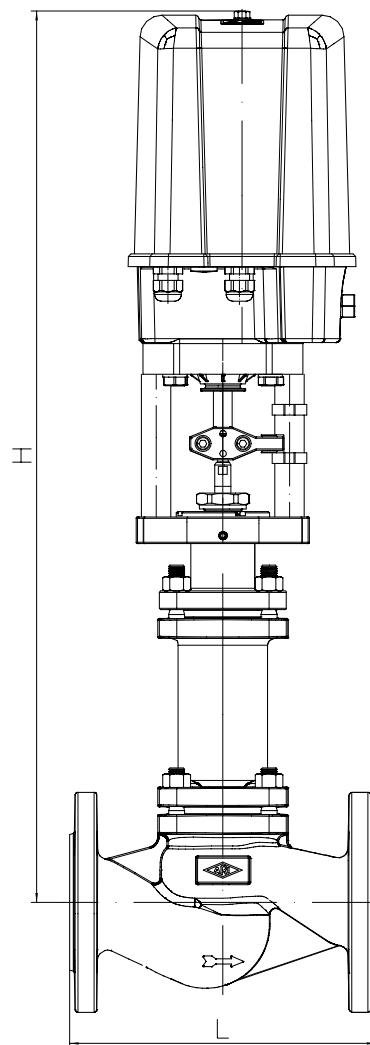


Fig. 449

Actuator data		2,2 - 5 kN	15 kN
A	(mm)	171	210
B	(mm)	156	184
X	(mm)	150	200

Technical data for actuator refer to data sheet PREMIO-Plus 2G

Dimensions and weights

DN		15	20	25	32	40	50	65	80	100		
L	(mm)	130	150	160	180	200	230	290	310	350		
Fig. 448	2,2 kN	H	(mm)	496	496	511	511	526	533			
		PN16-40	(kg)	10	11	12	14	16	19			
	5 kN	H	(mm)	496	496	511	511	526	533	550	572	588
		PN16-40	(kg)	10	11	12	14	16	19	25	32	44
	15 kN	H	(mm)							667	689	705
		PN16-40	(kg)							29	36	48
Fig. 449	2,2 kN	H	(mm)	681	681	689	689	680	682			
		PN16-40	(kg)	16	17	20	22	29	32			
	5 kN	H	(mm)	681	681	689	689	680	682	776	789	805
		PN16-40	(kg)	16	17	20	22	29	32	38	49	65
	15 kN	H	(mm)							893	906	922
		PN16-40	(kg)							42	53	69

Other dimensions refer to pages 9.

max. permissible closing pressures on flow-to-open P2 = 0.
Observe pressure-temperature-limits, refer to page 2.

DN			15				20				25					
Parabolic plug	Kvs-value	(m³/h)	0,25 / 0,16 / 0,1	0,63 / 0,4	4 / 2,5 / 1,6 / 1	0,25 / 0,16 / 0,1	0,63 / 0,4	4 / 2,5 / 1,6 / 1	6,3	0,25 / 0,16 / 0,1	0,63 / 0,4	4 / 2,5 / 1,6 / 1	6,3	10		
	max. diff. pressure ¹⁾	(bar)	40				40				40					
Perforated plug	Kvs-value	(m³/h)	--	--	2,5 / 1,6 / 1	--	--	2,5 / 1,6 / 1	4	--	--	2,5 / 1,6 / 1	4	6,3		
	max. diff. pressure ¹⁾	(bar)	--	--	40	--	--	40	--	--	40	--	--	40		
Seat-Ø		(mm)	3	5	12	3	5	12	16	3	5	12	16	22		
Travel		(mm)	10				10				10					
2,2 kN	Closing pressure	I.	(bar)	40	40	40	40	40	40	40	40	40	40	40		
		III.	(bar)	33	32	31	33	32	31	31	33	32	31	31	30	
	Operating time		(s)	40				40				40				
	Operating speed		(mm/s)	0,25				0,25				0,25				

DN			32				40				50				
Parabolic plug	Kvs-value	(m³/h)	4 / 2,5 / 1,6 / 1	6,3	10	16	6,3	10	16	25	10	16	25	40	
	max. diff. pressure ¹⁾	(bar)	40				40				30	40		30	
Perforated plug	Kvs-value	(m³/h)	2,5 / 1,6 / 1	4	6,3	10	4	6,3	10	16	6,3	10	16	25	
	max. diff. pressure ¹⁾	(bar)	40				40				40				
Seat-Ø		(mm)	12	16	22	28	16	22	28	35	22	28	35	43	
Travel		(mm)	10				15				10		15		
2,2 kN	Closing pressure	I.	(bar)	40	40	40	28	40	40	28	17	40	28	17	11
		III.	(bar)	31	31	30	25	31	30	25	14	30	25	14	9
	Operating time		(s)	40				60				40		60	
	Operating speed		(mm/s)	0,25				0,25				0,25			
5 kN	Closing pressure	I.	(bar)			40			40	40		40	40	30	
		III.	(bar)			40			40	40		40	40	28	
	Operating time		(s)			60			60			60		60	
	Operating speed		(mm/s)			0,25			0,25			0,25		0,25	

DN			65				80				100									
Parabolic plug	Kvs-value	(m³/h)	16	25	40	63	25	40	63	100	40	63	100	160						
	max. diff. pressure ¹⁾	(bar)	40	30	30	10	30	30	10	8	30	10	8	3						
Perforated plug	Kvs-value	(m³/h)	10	16	25	40	16	25	40	63	25	40	63	100						
	max. diff. pressure ¹⁾	(bar)	40				40				40									
Seat-Ø		(mm)	28	35	43	56	35	43	56	70	43	56	70	95						
Travel		(mm)	15				20				15		20		25					
5 kN	Closing pressure	I.	(bar)	40	40	29	17	40	29	17	10	29	17	10	5					
		III.	(bar)	40	40	28	16	40	28	16	10	28	16	10	5					
	Operating time		(s)	39				53				39		53		66	39	53	66	79
	Operating speed		(mm/s)	0,38				0,38				0,38								
15 kN	Closing pressure	I.	(bar)			40	40		40	40	36	40	40	36	19					
		III.	(bar)			40	40		40	40	35	40	40	35	19					
	Operating time		(s)			39	53		39	53	66	39	53	66	79					
	Operating speed		(mm/s)			0,38			0,38			0,38			0,38					

Further operating speeds: refer to data sheet PREMIO-Plus 2G

$\text{Operating time [s]} = \frac{\text{Travel [mm]}}{\text{Operating speed [mm/s]}}$
--

I. Fig. 448: PTFE-V-ring unit / EPDM-sealing
III. Fig. 449: Bellows seal

¹⁾ max. differential pressure drop

Control valve in straightway form

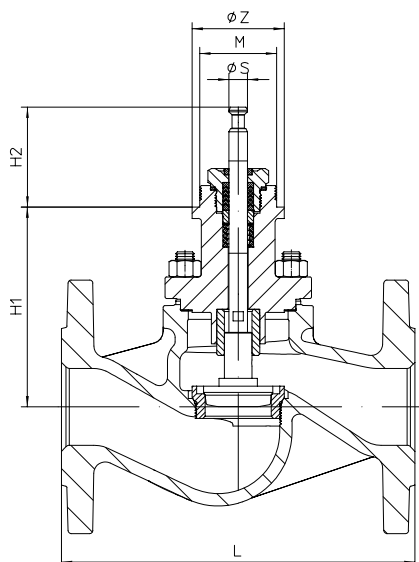


Fig. 448

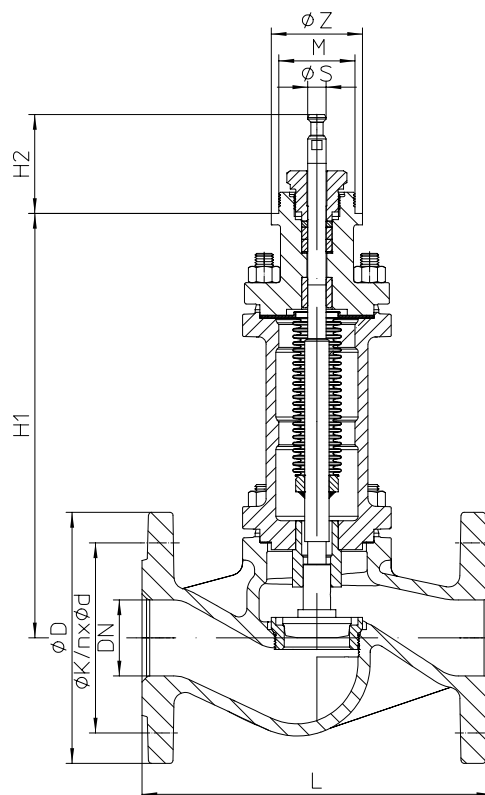
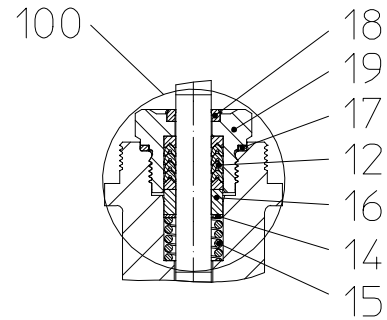
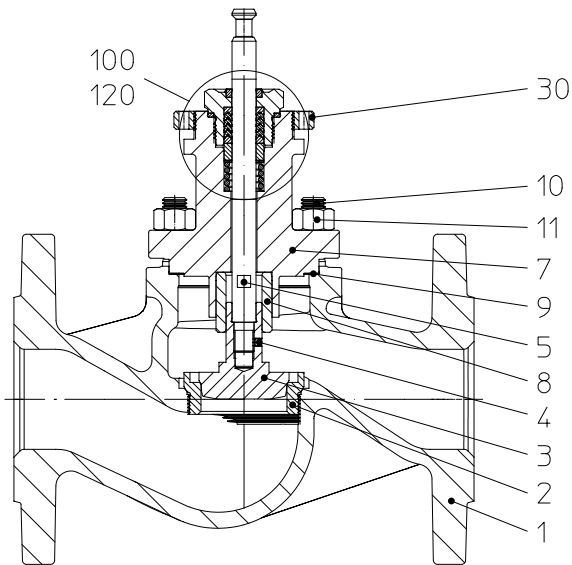
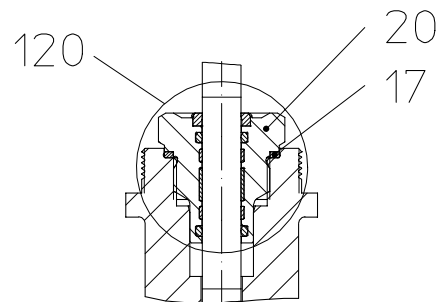


Fig. 449

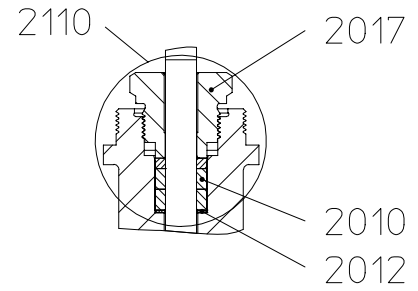
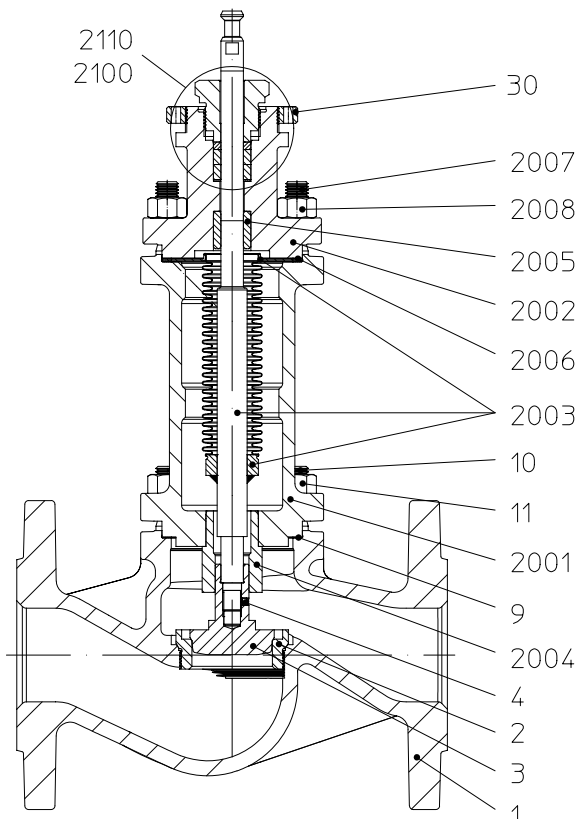
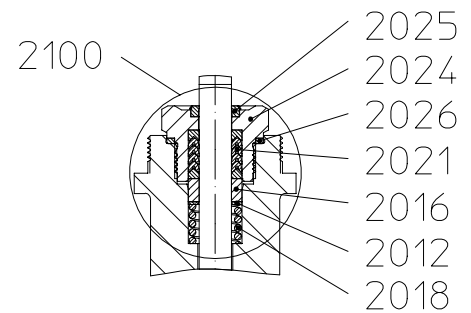
DN	15	20	25	32	40	50	65	80	100		
Dimensions											
M	Fig. 448 / Fig. 449	(mm)	M50 x 1,5								
ØZ	Fig. 448 / Fig. 449	(mm)	60								
ØS	Fig. 448 / Fig. 449	(mm)	12				16				
H1	Fig. 448	(mm)	93	108	123	130	137	159	175		
	Fig. 449	(mm)	278	286	277	279	363	376	392		
H2	Fig. 448 / Fig. 449	(mm)	65								
Face-to-face dimension FTF series 1 acc. to DIN EN 558											
L	(mm)	130	150	160	180	200	230	290	310	350	
Flanges acc. to DIN EN 1092-1-2		Flange holes / -thickness tolerances acc. to DIN 2533/2544/2545									
ØD	PN16	(mm)								220	
	PN25	(mm)	95	105	115	140	150	165	185	200	235
	PN40	(mm)									
ØK	PN16	(mm)								180	
	PN25	(mm)	65	75	85	100	110	125	145	160	190
	PN40	(mm)									
n x Ød	PN16	(mm)	4 x 14			4 x 18			4 x 18	8 x 18	8 x 18
	PN25	(mm)							8 x 18		8 x 22
	PN40	(mm)									
Weight											
Fig. 448	PN16-40	(kg)	4	5	6	8	10	13	19	26	38
Fig. 449	PN16-40	(kg)	10	11	14	16	23	26	32	43	59
max. permissible thrust											
Fig. 448		(kN)	5			7,5			15		
Fig. 449		(kN)									


I. PTFE-V-ring unit

I. EPDM-sealing

Pos.	Sp.p..	Description	Fig. 12.448	Fig. 22./23./25.448	Fig. 34./35.448	Fig. 55.448
1		Body	EN-GJL-250 , EN-JL1040	EN-GJS-400-18U-LT, EN-JS1049	GP240GH+N, 1.0619+N	GX5CrNiMo19-11-2, 1.4408
2	x	Seat ring	X20Cr13+QT, 1.4021+QT			X6CrNiMoTi17-12-2, 1.4571
3	x	Plug	X20Cr13+QT, 1.4021+QT			X6CrNiMoTi17-12-2, 1.4571
4	x	Thread pin	A4			
5	x	Stem	X20Cr13+QT, 1.4021+QT			X6CrNiMoTi17-12-2, 1.4571
7		Bonnet	GP240GH+N, 1.0619+N			GX5CrNiMo19-11-2, 1.4408
8		Guide bushing	X20Cr13+QT, 1.4021+QT (hardened)			X6CrNiMoTi17-12-2, 1.4571 (hardened)
9	x	Gasket	pure graphite (CrNi laminated with graphite)			
10		Stud	25CrMo4, 1.7218			A4 - 70
11		Hexagon nuts	C35E, 1.1181			A4
12	Set: refer to Pos. 100	V-ring unit	PTFE / Graphite			
14		Washer	X5CrNi18-10, 1.4301			
15		Compression spring	X10CrNi18-8, 1.4310			
16		Bush	PTFE (strengthened)			
17		Gasket	X6CrNiMoTi17-12-2, 1.4571			
18		Scraper	PTFE (strengthened)			
19		Screw joint	X8CrNiS18-9, 1.4305			
20		Screw joint	X8CrNiS18-9, 1.4305 / EPDM			
30	x	Central nut	X8CrNiS18-9, 1.4305			

Stem sealing Fig. 448

100	x	V-ring unit set	Set aus: Pos. 12, 14, 15, 16, 17, 18, 19
120	x	EPDM-sealing set	Set aus: Pos. 17, 20
		L Spare parts	


III. Stainless steel-bellow with pure graphite-packing

III. Stainless steel-bellow with V-ring unit

Pos.	Sp.p.	Description	Fig. 22./23.449	Fig. 34./35.449	Fig. 55.449
1		Body	EN-GJS-400-18U-LT, EN-JS1049	GP240GH+N, 1.0619+N	GX5CrNiMo19-11-2, 1.4408
2	x	Seat ring	X20Cr13+QT, 1.4021+QT		X6CrNiMoTi17-12-2, 1.4571
3	x	Plug	X20Cr13+QT, 1.4021+QT		X6CrNiMoTi17-12-2, 1.4571
4	x	Thread pin	A4		
9	x	Gasket	Pure graphite (CrNi laminated with graphite)		
10		Stud	25CrMo4, 1.7218		A4 - 70
11		Hexagon nuts	C35E, 1.1181		A4
30	x	Central nut	X8CrNiS18-9, 1.4305		
2001		Bellows housing	EN-GJS-400-18U-LT, EN-JS1049	GP240GH+N, 1.0619+N	GX5CrNiMo19-11-2, 1.4408
2002		Bonnet	GP240GH+N, 1.0619+N		
2003	x	Stem- / Bellows unit	X20Cr13+QT, 1.4021+QT / X6CrNiTi18-10, 1.4541		X6CrNiMoTi17-12-2, 1.4571
2004		Guide bushing	X20Cr13+QT, 1.4021+QT (hardened)		
2005		Guide bushing	X20Cr13+QT, 1.4021+QT (hardened)		
2006	x	Gasket	Pure graphite (CrNi laminated with graphite)		
2007		Stud	25CrMo4, 1.7218		A4 - 70
2008		Hexagon nuts	C35E, 1.1181		A4
2010	Set refer to Pos. 2110	Packing ring	Pure graphite		
2012		Washer	X5CrNi18-10, 1.4301		
2017		Screw joint	X8CrNiS18-9, 1.4305		
2016	Set refer to Pos. 2100	Bush	PTFE (strengthened (only for DN15-50))		
2018		Compression spring	X10CrNi18-8, 1.4310		
2021		V-ring unit	PTFE / Graphite		
2024		Screw joint	X8CrNiS18-9, 1.4305		
2025		Scraper	PTFE		
2026		Gasket	X6CrNiMoTi17-12-2, 1.4571		

Stem sealings Fig. 449					
2110	x	Packing rings set	Set of: Pos. 2010, 2012, 2017		
2100	x	V-ring unit set	Set of: Pos. 2012, 2016, 2018, 2021, 2024, 2025, 2026		
L Spare parts					

myValve® - Your Valve Sizing-Program.

myValve® is a powerful software tool that not only helps you size your system components; it also gives you instant access to all other data about the selected product, such as order information, spare parts drawings, operating instructions, data sheets, etc., whenever you need it.


Contents:
Module ARI-control valves STEVI-calculation

- Sizing (calculation of flow quantity Kv, volume flow Q, pressure drop Δp , sound level and selecting the valve.)

Media:
Integrated media-databank (more than 160 media) with conditions:

- Vapours / gases
- Steam (saturated and superheated)
- Liquids

Special features:

- Project administration of the calculation and product data incl. spare part drawings concerning to project and tag number.
- Direct output of calculation and product data in PDF format.
- Product data could be taken for a direct order.
- SI- and ANSI-units with direct conversion to another datank.
- Settings with over pressure or absolute pressure.
- All ARI valves are integrated in a databank.
- Direct access concerning to the product on data sheets, operating instructions, pressure-temperature-diagram and spare part drawings
- Operation in company networks possible (no complex installations on individually PC's necessary).
- Extensive catalogue extending over several product groups.

System Requirements:

Windows operating systems, Linux, etc.



Technology for the Future.
GERMAN QUALITY VALVES

ARI-Armaturen Albert Richter GmbH & Co. KG, D-33750 Schloß Holte-Stukenbrock,
 Tel. +49 52 07 / 994-0, Telefax +49 52 07 / 994-158 or 159 Internet: <http://www.ari-armaturen.com> E-mail: info.vertrieb@ari-armaturen.com